

## SHOWER TRAY ARCHITECTURA

### PRODUCT INFORMATION

#### 1. POSITION



<b>Article number</b>	<b>UDA9070ARA215V-01</b>
Article title	Villeroy & Boch Architectura Rectangular shower tray, 900 x 700 x 15 mm, White Alpin
Product designation	Rectangular shower tray
Collection	Architectura
Assembly / Assembly type	Surface-mounted, Corner installation flush-fitting installation  Installation on a base
Assembly instructions	With MetalRim and an edge height of 15mm, we recommend the use of a composite seal in accordance with ETAG 022 on the floor structure below the shower tray in order to prevent any moisture from penetrating the floor structure., The installation height of the shower tray can be reduced by 30 mm if the Viega outlet fitting art. no. 634 100 is used. Please note: this outlet fitting does not conform to EN 274.
Drainage rate in l/min	53
Scope of delivery	1 x rectangular shower tray , 1 x outlet cover in White Alpine (01), for matt colours, outlet cover in matching matt colours.
Ordering information	Supplied without support frame / base.
Length in mm	900
Width in mm	700
Height in mm	15
Interior depth	13
Weight in kg	10,00
Material	Acrylic
Colour name	White Alpin
With feet/base	No
Other material	Outlet cover: Acrylic
Other surfaces	Outlet cover: glossy
With bath support	No
Anti-slip class	Anti-slip class A
EAN number	4051202286354

COLOUR

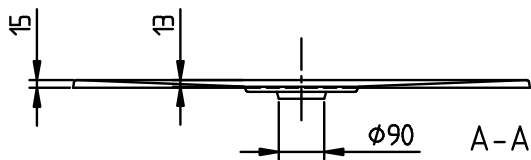
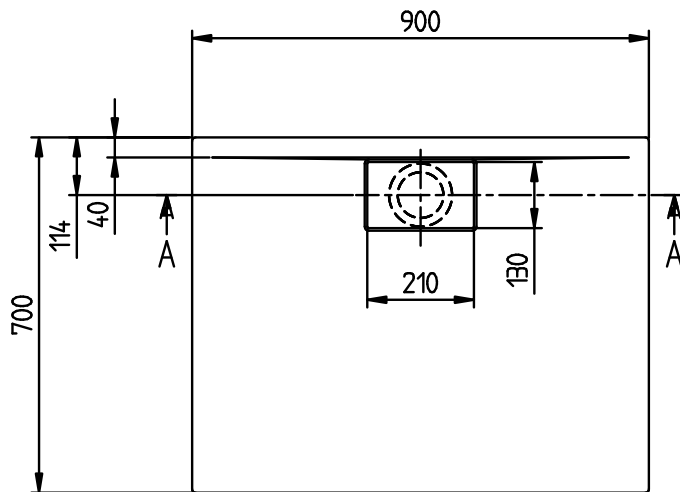
COLOUR DESIGNATION




White Alpin

TECHNICAL DRAWINGS

UDA9070ARA215V-01



ARCHITECTURA METAL RIM 900x700 UDA9070ARA215	 <b>Villeroy &amp; Boch</b> 1748
V02 / 31-03-2021	