

## SHOWER TRAY ARCHITECTURA

### PRODUCT INFORMATION

#### 1. POSITION



<b>Article number</b>	<b>UDA8080ARA115V-01</b>
Article title	Villeroy & Boch Architectura Square shower tray, 800 x 800 x 15 mm, White Alpin
Product designation	Square shower tray
Collection	Architectura
Assembly / Assembly type	Surface-mounted, Corner installation flush-fitting installation  Installation on a base
Assembly instructions	With MetalRim and an edge height of 15mm, we recommend the use of a composite seal in accordance with ETAG 022 on the floor structure below the shower tray in order to prevent any moisture from penetrating the floor structure., The installation height of the shower tray can be reduced by 30 mm if the Viega outlet fitting art. no. 634 100 is used. Please note: this outlet fitting does not conform to EN 274.
Drainage rate in l/min	53
Scope of delivery	1 x square shower tray , 1 x outlet cover in White Alpine (01), for matt colours, outlet cover in matching matt colours.
Ordering information	Supplied without support frame / base.
Length in mm	800
Width in mm	800
Height in mm	15
Interior depth	15
Weight in kg	11,00
Material	Acrylic
Colour name	White Alpin
With feet/base	No
Other material	Outlet cover: Acrylic
Other surfaces	Outlet cover: glossy
With bath support	No
Anti-slip class	Anti-slip class A
EAN number	4051202286316

COLOUR

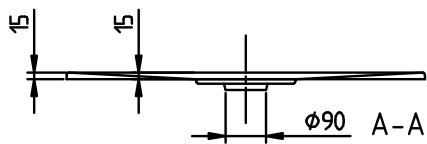
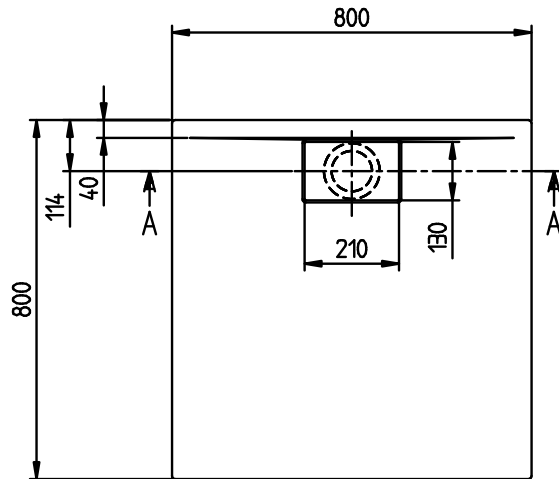
COLOUR DESIGNATION




White Alpin

TECHNICAL DRAWINGS

UDA8080ARA115V-01



ARCHITECTURA METAL RIM 800x800 UDA8080ARA115 V02 / 31-03-2021	 <b>Villeroy &amp; Boch</b> 1748
--	---