

## TAPS & FITTINGS SUBWAY 3.0

### PRODUCT INFORMATION

#### 1. POSITION



|                                     |  |
|-------------------------------------|--|
| <b>Article number</b>               | <b>TVW11200500061</b>  |
| Article title                       | Villeroy & Boch Subway 3.0 Three-hole basin mixer without waste, Chrome                                |
| Product designation                 | Three-hole basin mixer   |
| Collection                          | Subway 3.0   |
| Assembly / Assembly type            | Deck-mounted   |
| Scope of delivery                   | 1 x tap fitting , 1 x fastening 2 x connecting hoses 1 x installation instructions                     |
| Length in mm                        | 178  |
| Width in mm                         | 345  |
| Height in mm                        | 122  |
| Weight in kg                        | 2,95   |
| Material                            | Brass  |
| Surface                             | glossy   |
| Colour name                         | Chrome   |
| EAN number                          | 4062373800393  |
| Air plus                            | An aerator enriches the water with air for a particularly soft, water-saving jet                       |
| Easy clean                          | Longer service life: optimum limescale removal by simply rubbing nozzles and aerators clean            |
| Aqua smart                          | Sustainable, limited water flow: saving water without sacrificing on performance                       |
| Tap smartpressure                   | Constant water flow rate for washbasin mixers regardless of pressure fluctuations in the piping system |
| Length of spout in mm               | 134  |
| Spacing of connection spigots in mm | 300  |
| Material                            | Brass  |
| Volume                              | 8,97   |
| Angle jet regulator                 | 4  |
| Number of tap holes                 | 1  |
| Diameter of faucet body             | 43   |
| Swivel aerator                      | Yes  |
| Water regulation                    | Water temperature is regulated 45° to each side  |
| Thermostat                          | No   |
| Cool Tap                            | No   |

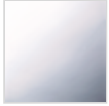


Spray types

Comfort jet

## COLOUR

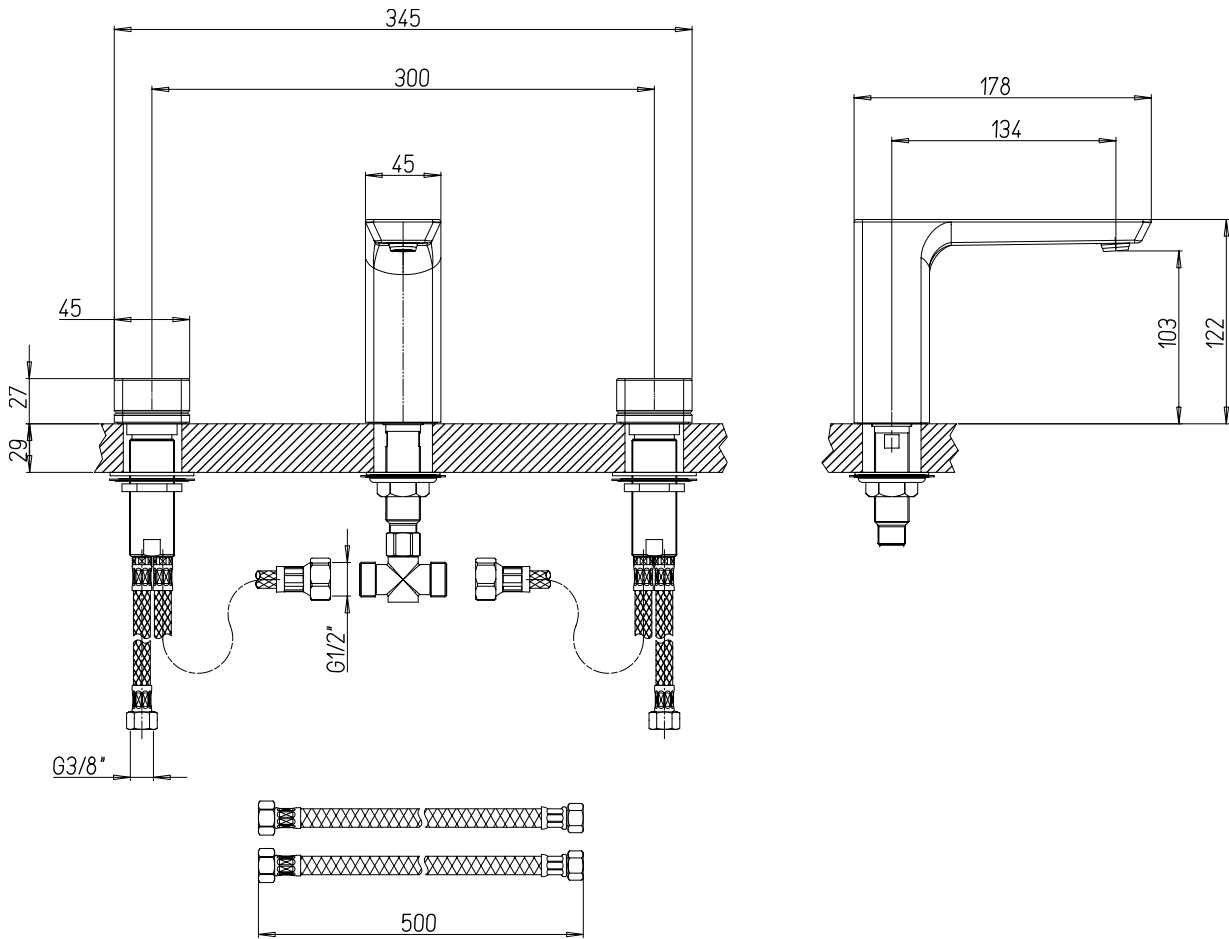
### COLOUR DESIGNATION



Chrome

TECHNICAL DRAWINGS

TVW11200500061



## CHARACTERISTICS



An aerator enriches the water with air for a particularly soft, water-saving jet



Sustainable, limited water flow: saving water without sacrificing on performance

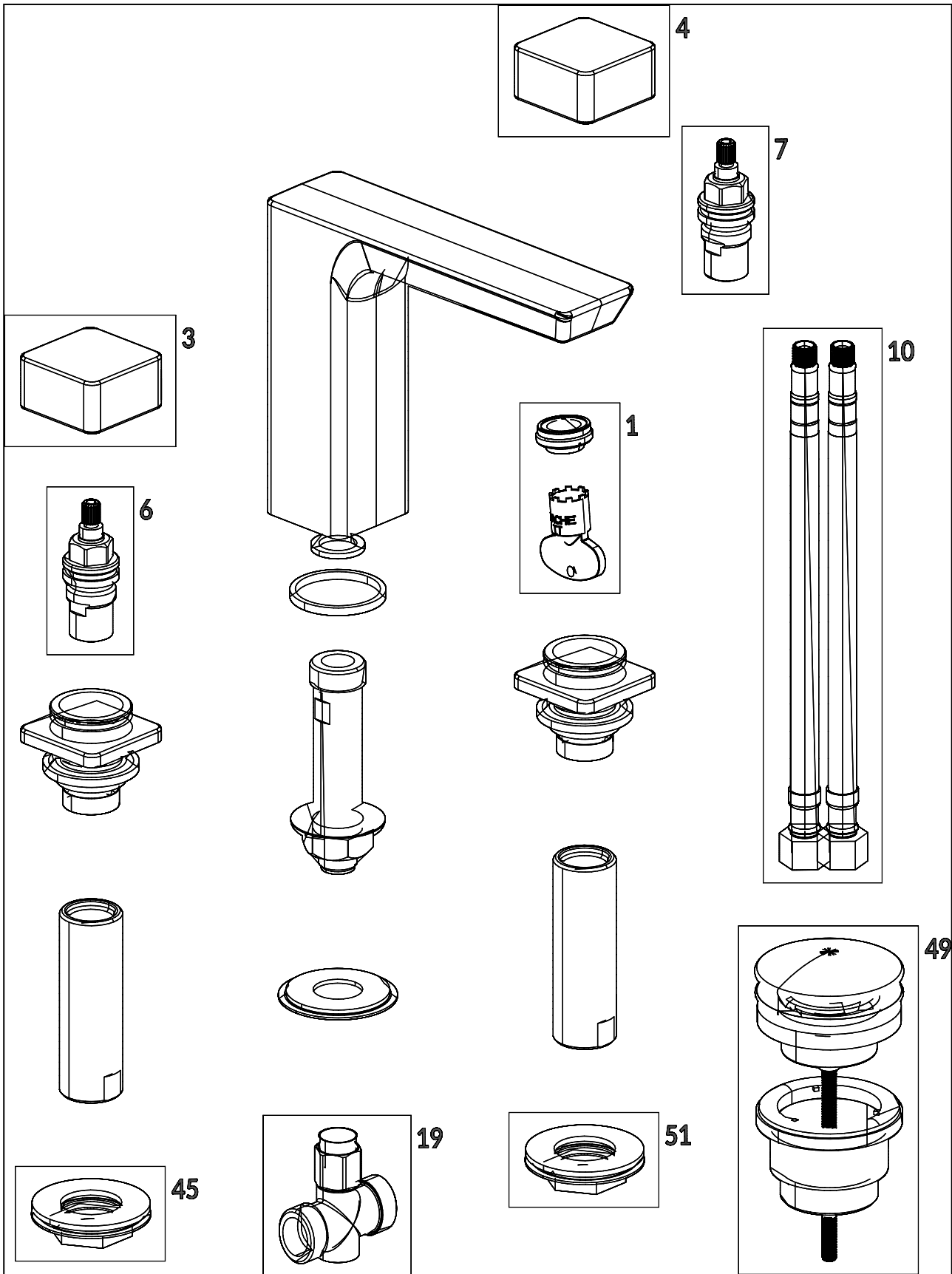


Longer service life: optimum limescale removal by simply rubbing nozzles and aerators clean



Constant water flow rate for washbasin mixers regardless of pressure fluctuations in the piping system

EXPLOSION DRAWINGS



## BILL OF MATERIALS

| No. | Article No.    | Description   | Quantity |
|-----|----------------|---------------|----------|
| 5   | TVP00000105000 | Cartridge     | 1        |
| 1   | TVP00007100000 | Aerator set   | 1        |
| 6   | TVP11201300000 | Valve         | 1        |
| 8   | TVP11201400000 | Fastening set | 1        |
| 2   | TVP11201200061 | Cartridge     | 1        |
| 15  | TVP11201500000 | Cartridge     | 1        |