

TAPS & FITTINGS SUBWAY 3.0

PRODUCT INFORMATION

1. POSITION



| | |
|--------------------------|--|
| Article number | TVW11200300061 |
| Article title | Villeroy & Boch Subway 3.0 Single-lever basin mixer without waste, Chrome |
| Product designation | Single-lever basin mixer |
| Collection | Subway 3.0 |
| Assembly / Assembly type | Deck-mounted |
| Scope of delivery | 1 x tap fitting , 1 x fastening 2 x connecting hoses 1 x installation instructions |
| Length in mm | 176 |
| Width in mm | 51 |
| Height in mm | 155 |
| Weight in kg | 1,50 |
| Material | Brass |
| Surface | glossy |
| Colour name | Chrome |
| EAN number | 4062373800317 |
| Air plus | An aerator enriches the water with air for a particularly soft, water-saving jet |
| Easy clean | Longer service life: optimum limescale removal by simply rubbing nozzles and aerators clean |
| Aqua smart | Sustainable, limited water flow: saving water without sacrificing on performance |
| Tap smartpressure | Constant water flow rate for washbasin mixers regardless of pressure fluctuations in the piping system |
| Length of spout in mm | 134 |
| Material | Brass |
| Volume | 7,935 |
| Angle jet regulator | 4 |
| Cartridge | Cartridge with ceramic discs |
| Handle position | Top |
| Number of tap holes | 1 |
| Diameter of faucet body | 43 |
| Swivel aerator | Yes |
| Water regulation | Water temperature is regulated 45° to each side |
| Thermostat | No |
| Cool Tap | No |

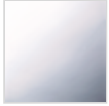


Spray types

Comfort jet

COLOUR

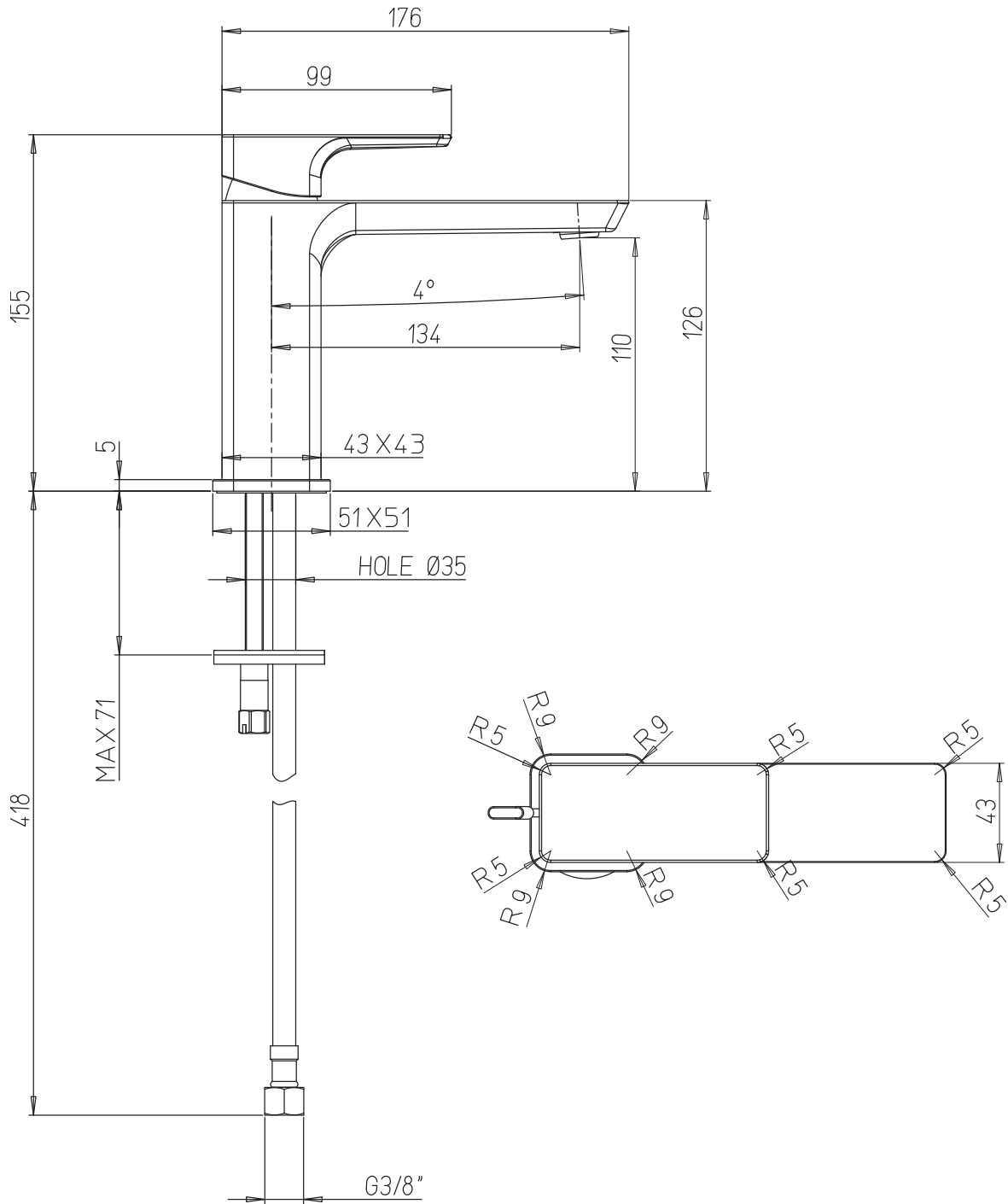
COLOUR DESIGNATION



Chrome

TECHNICAL DRAWINGS

TVW11200300061



CHARACTERISTICS



An aerator enriches the water with air for a particularly soft, water-saving jet



Sustainable, limited water flow: saving water without sacrificing on performance

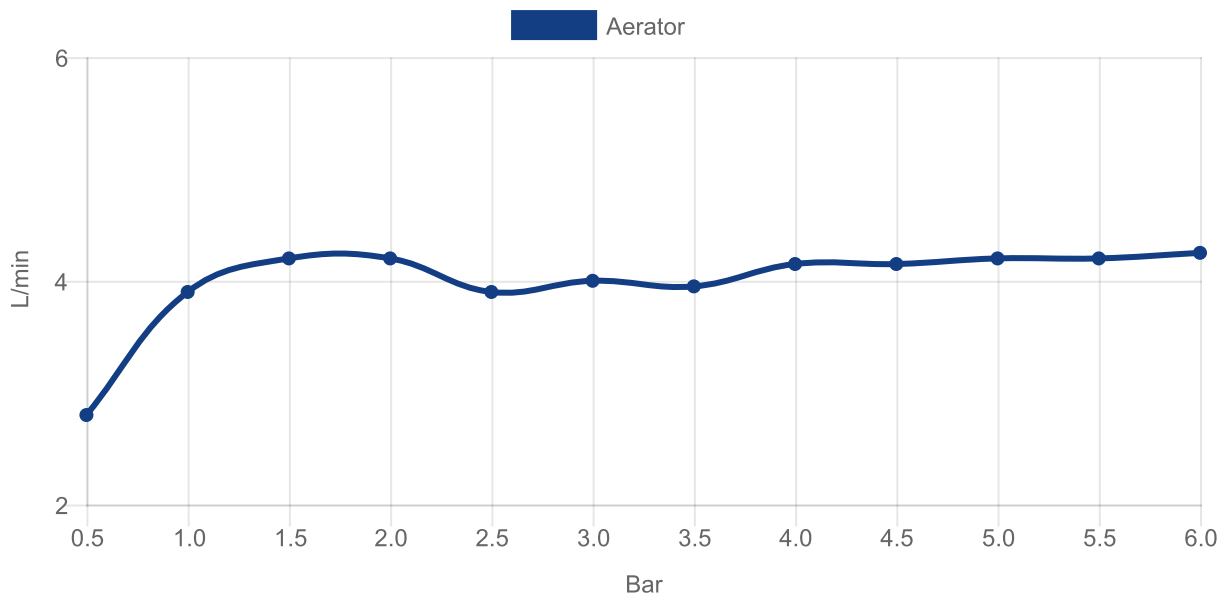


Longer service life: optimum limescale removal by simply rubbing nozzles and aerators clean

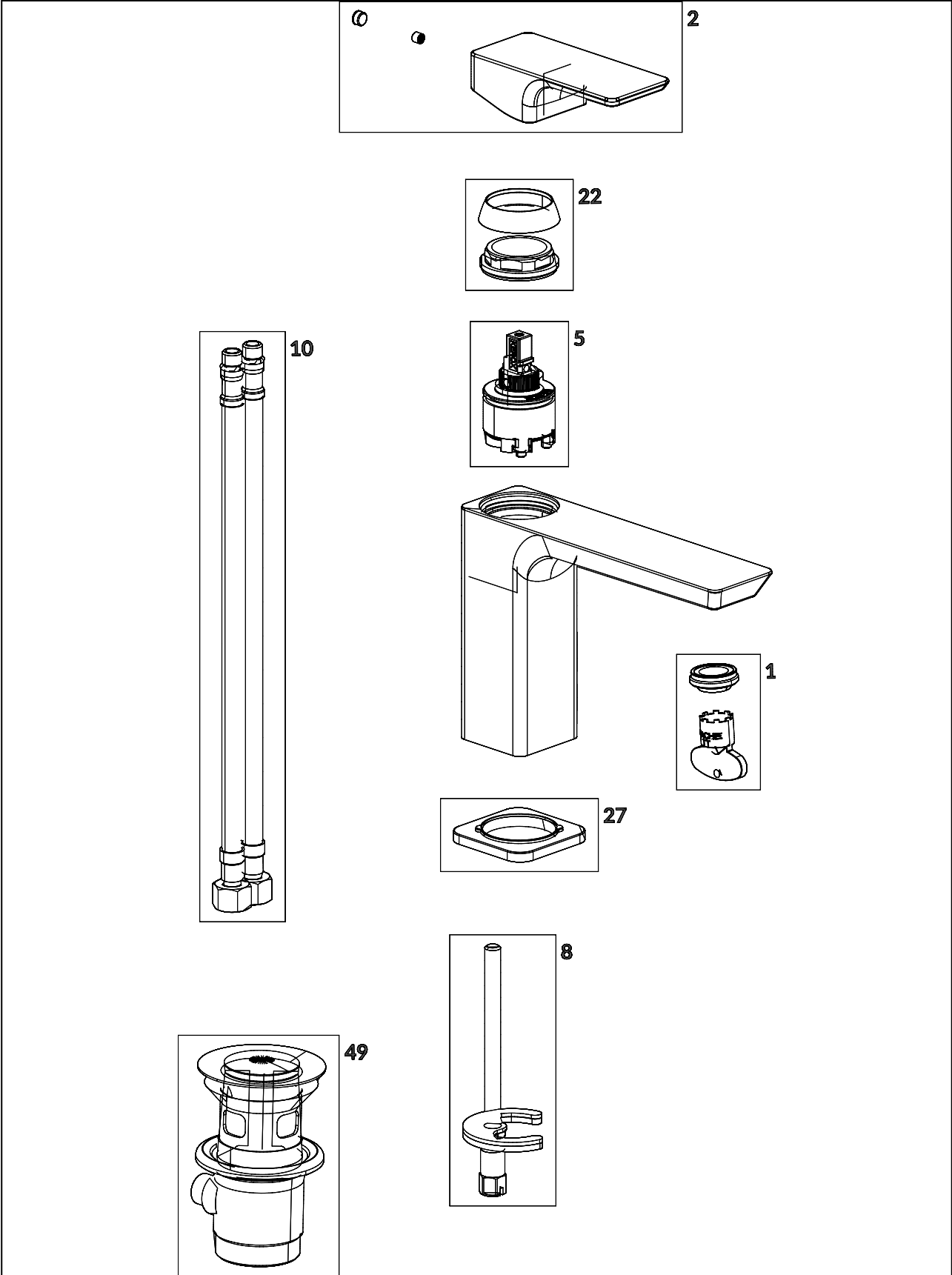


Constant water flow rate for washbasin mixers regardless of pressure fluctuations in the piping system

FLOW CHART



EXPLOSION DRAWINGS



BILL OF MATERIALS

| No. | Article No. | Description | Quantity |
|-----|----------------|------------------|----------|
| 5 | TVP00000105000 | Cartridge | 1 |
| 1 | TVP00007100000 | Aerator set | 1 |
| 2 | TVP11200200061 | Handle | 1 |
| 10 | TVP00013600000 | Connecting hoses | 1 |
| 8 | TVP11202200000 | Fastening set | 1 |