

BATHROOM FURNITURE AVENTO

PRODUCT INFORMATION

1 . POSITION



Article number	A88801VH
Article title	Villeroy & Boch Avento Vanity unit, 1 door, 526 x 514 x 384 mm, Arizona Oak
Product designation	Vanity unit
Collection	Avento
Assembly / Assembly type	wall-mounted
Type of opening	1 door
Door hinge	hinges on right
Equipment	1 x door
Scope of delivery	1 x vanity unit , 1 x fastening set
Position of washbasin	washbasin on the middle, washbasin on the middle
Ordering information	Please order specified washbasin separately.
Depth in mm	384
Width in mm	526
Height in mm	514
Depth with handle mm	384
Depth without handle mm	352
Weight in kg	10,63
express delivery	No
Suitable for	selected washbasins
Function	with SoftClosing
Material front	Chipboard
Surface of front	Direct coating
Material body	Chipboard
Surface of body	Direct coating
Other material	Handle: Chrome
Other surfaces	Handle: glossy
Type of handles	Handle
EAN number	4051202975593

COLOUR

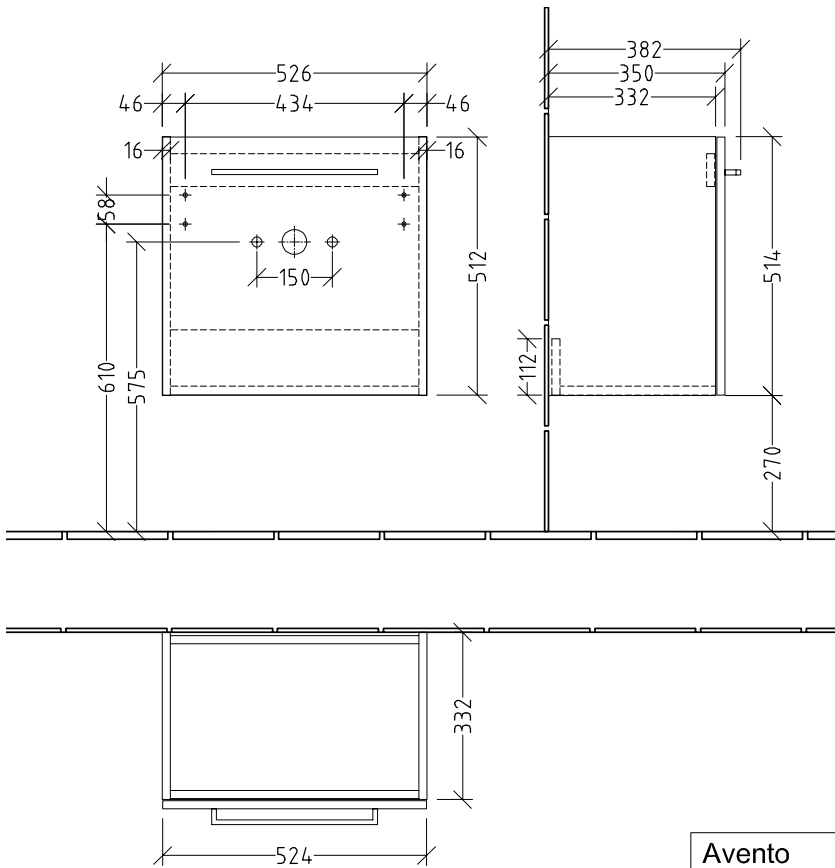
COLOUR DESIGNATION




Arizona Oak

TECHNICAL DRAWINGS

A88801VH



<p>Avento A88800_A88801 A88810_A88811</p>	 <p>Villeroy & Boch 1748</p>
<p>V02 / 21.11.2023</p>	