

BATHROOM FURNITURE AVENTO

PRODUCT INFORMATION

1 . POSITION



Article number	A88701VH
Article title	Villeroy & Boch Avento Vanity unit, 1 door, 426 x 514 x 384 mm, Arizona Oak
Product designation	Vanity unit
Collection	Avento
Assembly / Assembly type	wall-mounted
Type of opening	1 door
Door hinge	hinges on right
Equipment	1 x door
Scope of delivery	1 x vanity unit , 1 x fastening set
Position of washbasin	washbasin on the middle, washbasin on the middle
Ordering information	Please order specified washbasin separately.
Depth in mm	384
Width in mm	426
Height in mm	514
Depth with handle mm	384
Depth without handle mm	352
Weight in kg	9,63
express delivery	No
Suitable for	selected handwashbasins
Function	with SoftClosing
Material front	Chipboard
Surface of front	Direct coating
Material body	Chipboard
Surface of body	Direct coating
Other material	Handle: Chrome
Other surfaces	Handle: glossy
Type of handles	Handle
EAN number	4051202975555

COLOUR

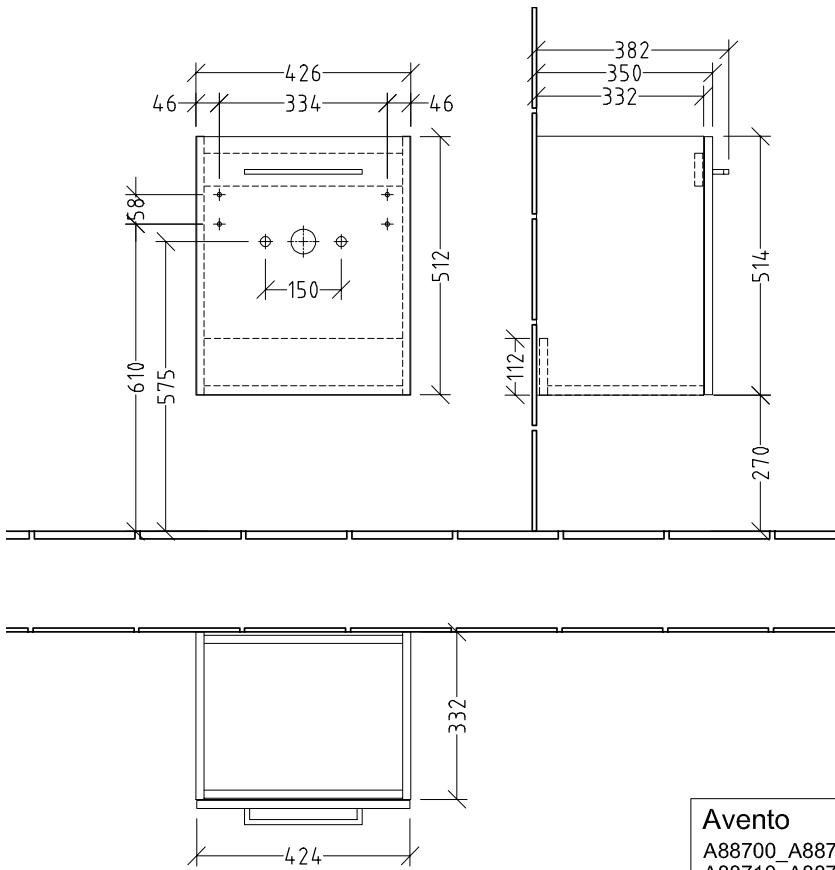
COLOUR DESIGNATION



Arizona Oak

TECHNICAL DRAWINGS

A88701VH



<p>Avento A88700_A88701 A88710_A88711</p>	 <p>Villeroy & Boch 1748</p>
<p>V02 / 21.11.2023</p>	