

## INSTALLATION SYSTEMS VICONNECT INSTALLATION SYSTEMS

### PRODUCT INFORMATION

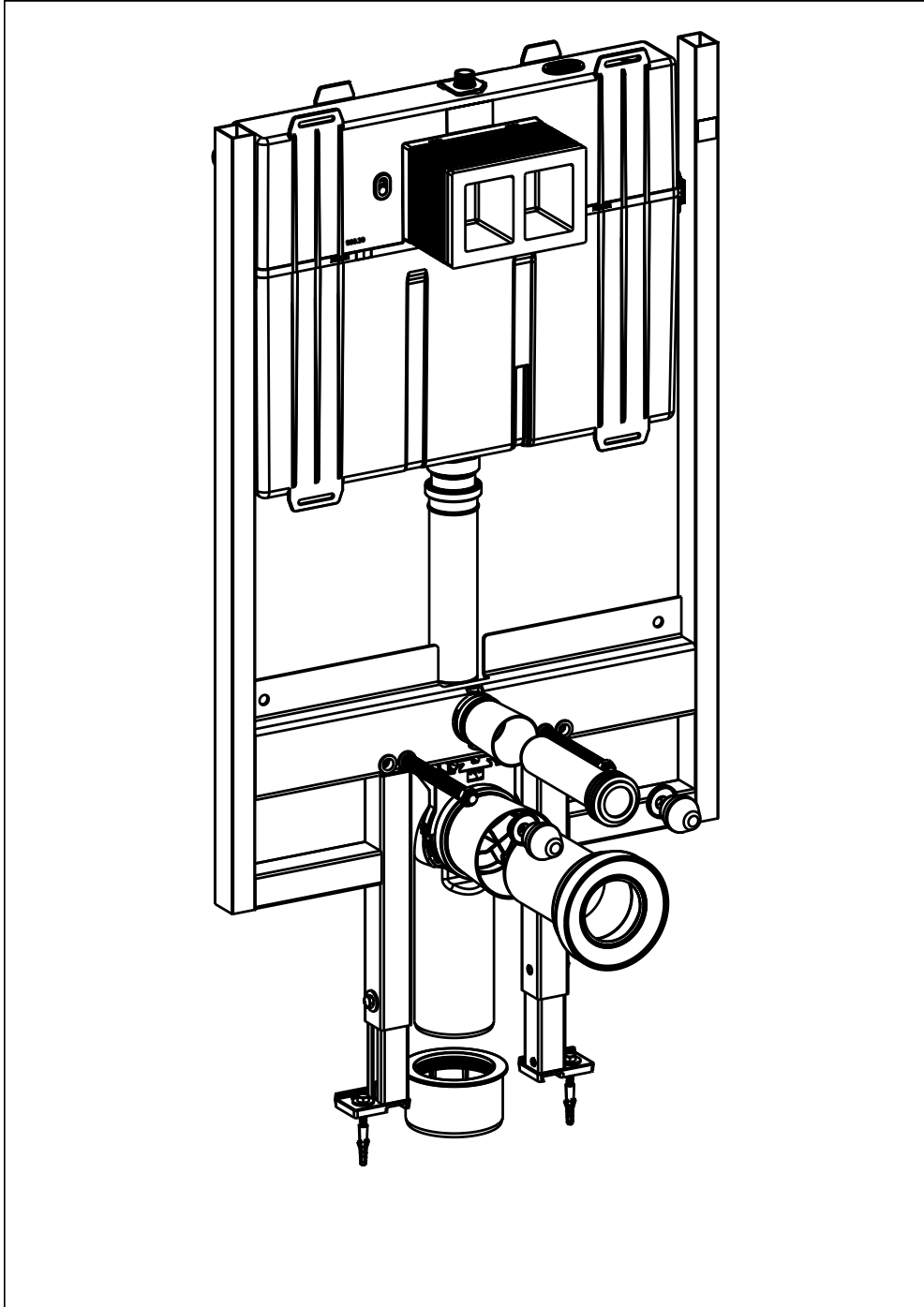
#### 1 . POSITION



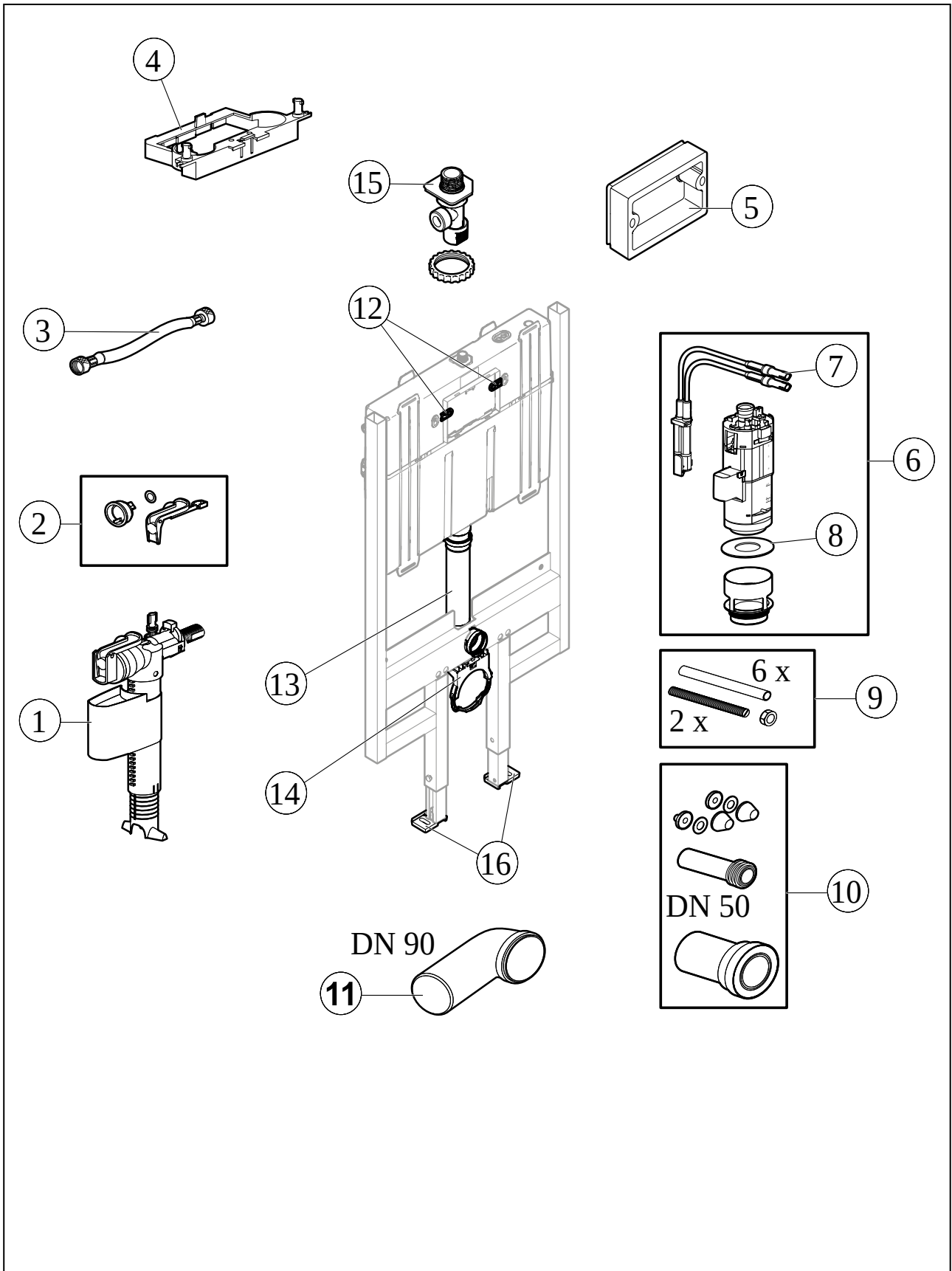
<b>Article number</b>	<b>92247600</b>
Article title	Villeroy & Boch ViConnect installation systems Toilet installation system Compact, for Dry-wall construction, 635 x 1120 x 90 mm
Product designation	Toilet installation system Compact
Collection	ViConnect installation systems
Assembly / Assembly type	Dry-wall construction
Assembly instructions	for covering with plasterboard, installation on a solid brick wall, in dry-wall constructions etc.] adjustment range of feet from unfinished floor level to upper edge of finished floor level: 0-150 mm] adjustment range front to wall: min 90 mm
Scope of delivery	1 x installation system , 1 x cistern 1 x installation kit
Ordering information	Please order flush plate separately.
Length in mm	90
Width in mm	635
Height in mm	1120
Weight in kg	13,80
Suitable for	for wall-mounted WC
Material	Steel
Activation / Flush	front-operated, button function transmitted to drain fitting via flexible cables, connection to flush plate via bayonet joint
Technical information	<ul style="list-style-type: none"> <li>• self-supporting, powder-coated steel frame construction with concealed cistern, insulated against condensation, with dual flush, fittings group I</li> <li>• incl. comprehensive scope of fastening and connection materials</li> <li>• tested in accordance with EN 14055</li> </ul>
EAN number	4051202338022

TECHNICAL DRAWINGS

92247600



EXPLOSION DRAWINGS



## BILL OF MATERIALS

No.	Article No.	Description	Quantity
15	92233800	Angle valve	1
6	8L113400	Outlet valve for concealed cisterns	1
3	92234700	Connecting hoses	1
1	8L073300	Filling valve	1
2	92248900	Set of washers	1
0	92211100	Fastening set	1
13	92173800	Flush pipe bend	1
11	92249900	Connecting bend	1
16	92173600	System feet	1
12	92230800	Holder for flush plate	1
8	92210800	Seal for outlet valve	1
5	92210100	Construction protection for concealed cistern	1
14	92233700	Clip with adapter	1
10	92249700	Connection set	1
9	92249600	Fastening set	1
4	92210000	Positioning device outlet valve for concealed cistern	1
7	92249500	Cable box for connecting to the outlet valve and flush plate	1