

## WASHBASINS MEMENTO 2.0

### PRODUCT INFORMATION

#### 1. POSITION



<b>Article number</b>	<b>4A0760R1</b>
Article title	Villeroy & Boch Memento 2.0 Surface-mounted washbasin, 600 x 420 x 140 mm, with overflow, White Alpin CeramicPlus
Product designation	Surface-mounted washbasin
Collection	Memento 2.0
Assembly / Assembly type	Surface-mounted
Assembly instructions	Recommendation: to be installed with a gap of at least 50 mm between the washbasin and the wall
Scope of delivery	1 x surface-mounted washbasin , 1 x fastening set 1 x cut-out template
Ordering information	Optionally available: Outlet valve with ceramic cover.
Length in mm	420
Width in mm	600
Height in mm	140
Interior depth	90
Weight in kg	17,60
Number of tap holes punched through	1
Number of tap holes pre-drilled	2
Position of drill hole	central tap hole punched out
express delivery	No
Suitable for	3-hole mixer, Matching Villeroy&Boch furniture
Material	TitanCeram
Surface	glossy
Colour name	White Alpin CeramicPlus
With TitanGlaze	No
With overflow	Yes
EAN number	4051202567316

### COLOUR

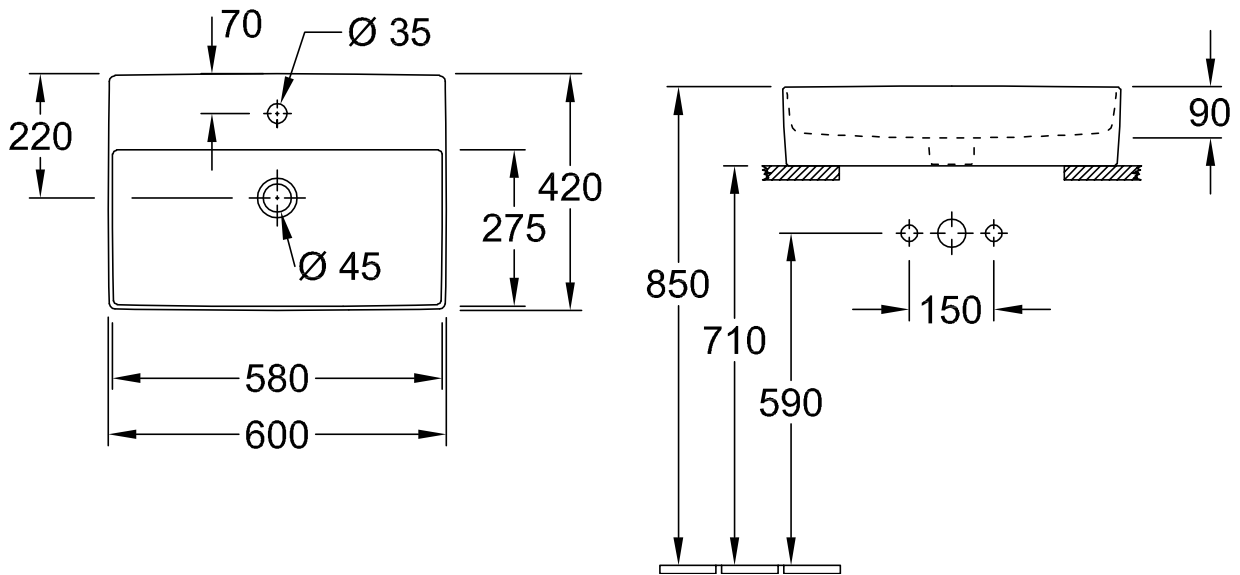
#### COLOUR DESIGNATION



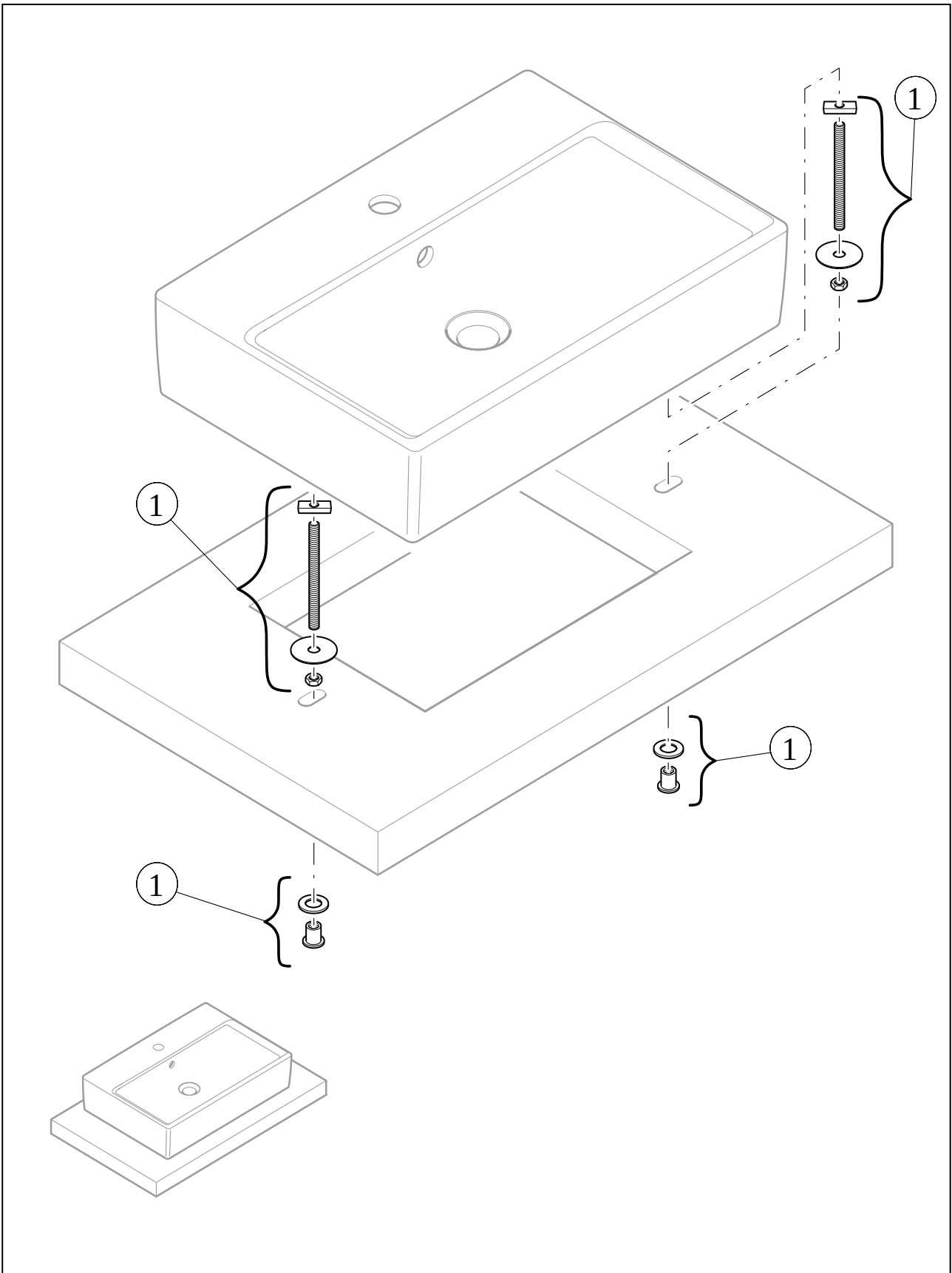
White Alpin

TECHNICAL DRAWINGS

4A0760R1



EXPLOSION DRAWINGS



**BILL OF MATERIALS**

No.	Article No.	Description	Quantity
1	92225600	Fastening set	1