

WASHBASINS FINION

PRODUCT INFORMATION

1. POSITION



Article number	416483R1
Article title	Villeroy & Boch Finion Vanity washbasin, 800 x 500 x 160 mm, without overflow, White Alpin CeramicPlus
Product designation	Vanity washbasin
Collection	Finion
Assembly / Assembly type	surface-mounted installation
Assembly instructions	supporting the washbasin with a suitable furniture frame
Scope of delivery	1 x vanity washbasin , 1 x non-closing outlet valve with ceramic valve cover
Length in mm	500
Width in mm	800
Height in mm	160
Interior depth	100
Weight in kg	17,28
express delivery	No
Suitable for	Wall-mounted tap fittings, Matching Villeroy&Boch furniture
Material	TitanCeram
Surface	glossy
Colour name	White Alpin CeramicPlus
With TitanGlaze	No
With overflow	No
EAN number	4051202836979

COLOUR

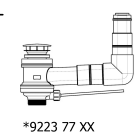
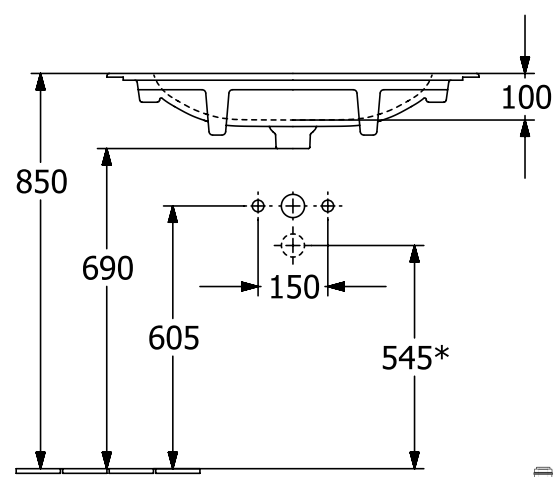
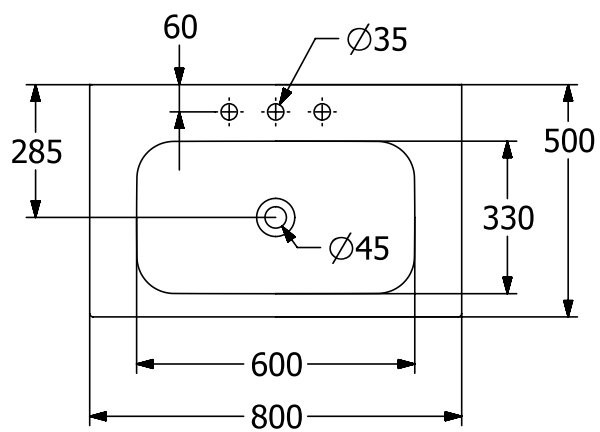
COLOUR DESIGNATION



White Alpin

TECHNICAL DRAWINGS

416483R1



*9223 77 XX