

## WASHBASINS FINION

### PRODUCT INFORMATION

#### 1. POSITION



<b>Article number</b>	<b>416481R1</b>
Article title	Villeroy & Boch Finion Vanity washbasin, 800 x 500 x 160 mm, without overflow, White Alpin CeramicPlus
Product designation	Vanity washbasin
Collection	Finion
Assembly / Assembly type	surface-mounted installation
Assembly instructions	supporting the washbasin with a suitable furniture frame
Scope of delivery	1 x vanity washbasin , 1 x non-closing outlet valve with ceramic valve cover
Length in mm	500
Width in mm	800
Height in mm	160
Interior depth	100
Weight in kg	16,80
Number of tap holes punched through	1
Number of tap holes pre-drilled	2
Position of drill hole	central tap hole punched out
express delivery	No
Suitable for	3-hole mixer, Matching Villeroy&Boch furniture
Material	TitanCeram
Surface	glossy
Colour name	White Alpin CeramicPlus
With TitanGlaze	No
With overflow	No
EAN number	4051202727918

### COLOUR

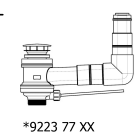
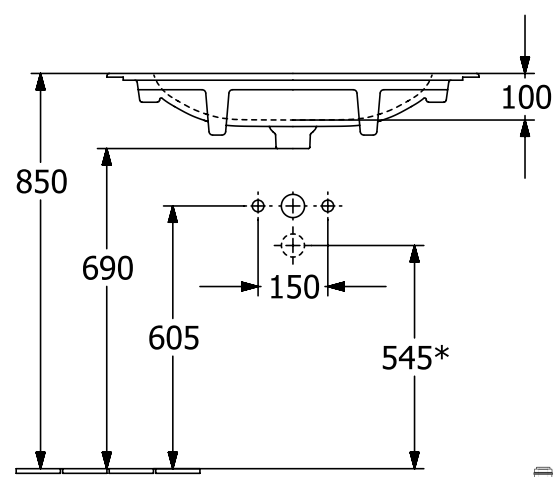
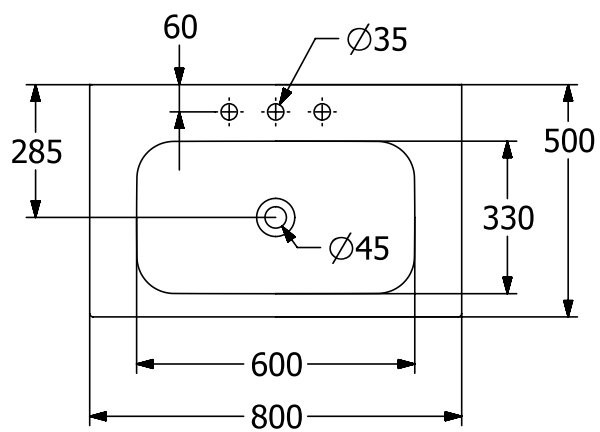
#### COLOUR DESIGNATION



White Alpin

TECHNICAL DRAWINGS

416481R1



\*9223 77 XX